

N-SERIES

MICROPROCESSOR CONTROLLER
微電腦控制器



SPECIFICATION:

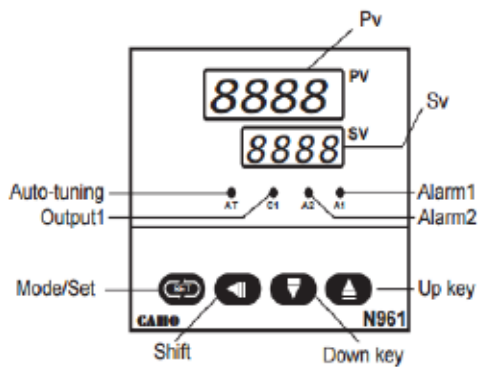
- Power Supply : AC 85V~260V, 50/60HZ
- Input : K,J,Pt,R,S
- Output : RELAY(250V/3A), DC24V, 4-20mA
- Control : PID, ON/OFF
- High/Low Alarm : 6 alarm modes

MAIN FEATURES:

- COST-WISE
- 1 ALARM, 1 INPUT, 1 OUTPUT



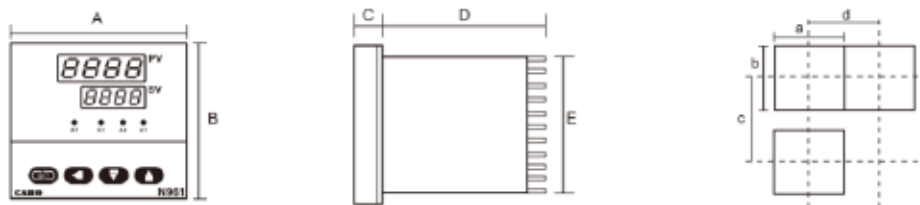
FRONT PANEL LAY-OUT



AVAILABLE SIZES



PANEL CUT-OUT DIMENSIONS



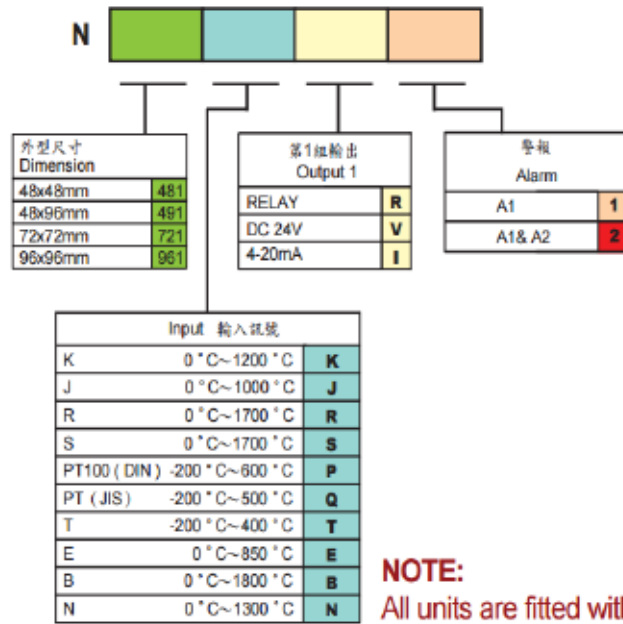
Panel Cutout 開孔尺寸

(Unit : mm)

Model 型號	A	B	C	D	E	a	b	c	d
N961	96	96	12	85	91	92 ^{+0.5} _{-0.5}	92 ^{+0.5} _{-0.5}	120	110
N721	72	72	12	85	67	68 ^{+0.5} _{-0.5}	68 ^{+0.5} _{-0.5}	100	85
N491	48	96	12	85	91	46 ^{+0.5} _{-0.5}	92 ^{+0.5} _{-0.5}	120	80
N481	48	48	12	85	45	46 ^{+0.5} _{-0.5}	46 ^{+0.5} _{-0.5}	75	60

ORDERING CODE 訂貨編號

Model No. 型號



NOTE:

All units are fitted with 1 Alarm (standard).

MODEL NO.	DIMENSION	DESCRIPTION
N961	96x96mm	PID WITH 1 ALARM
N721	72x72mm	PID WITH 1 ALARM
N491	48x96mm	PID WITH 1 ALARM
N481	48x48mm	PID WITH 1 ALARM

Note: Please use the above ordering guide when making an inquiry or placing your requirements.

DISTRIBUIDOR:

CONTROL Y REGULACIÓN TÉRMICA, S.L.
 Camí Vell de Russafa,713 Pol. Ind. Catarroja
 46470 CATARROJA (Valencia) Spain
 Tel. 34+963 74 72 71 e.mail: coreterm@coreterm.es
 www.coreterm.es www.taie.es